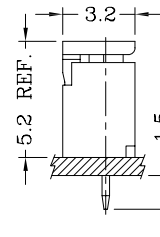
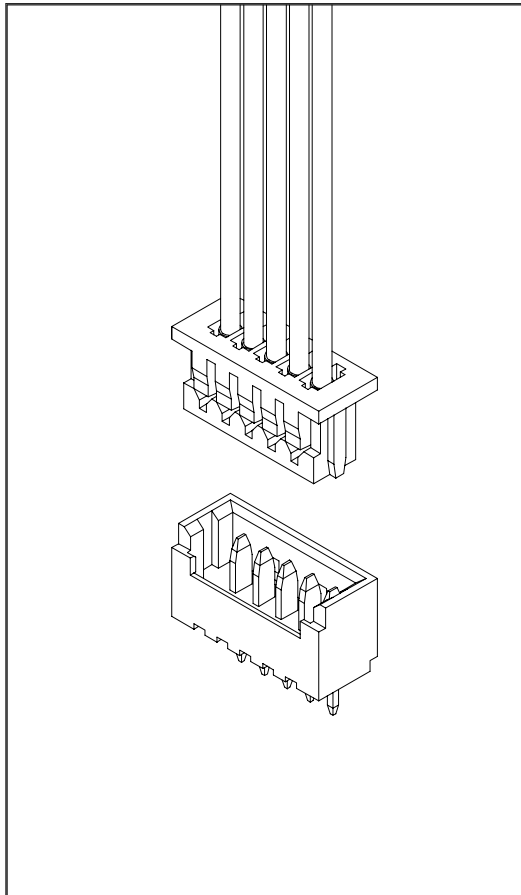
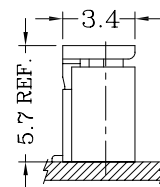


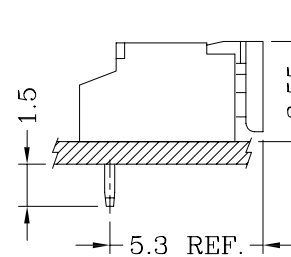
Assembly Layout/装配方案



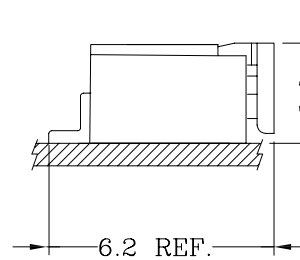
S-Type/直插型



SMS-Type/立贴型



R-Type/弯插型



SMR-Type/卧贴型

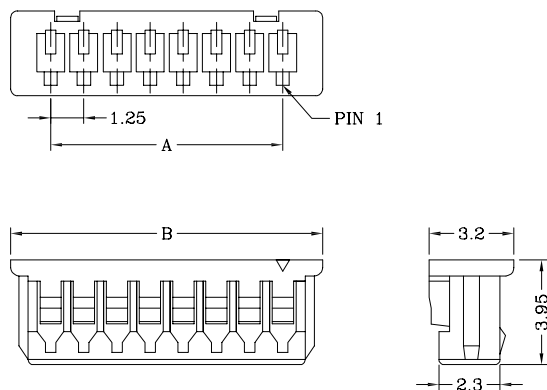
Specifications/技术参数:

Poles/位数	2~15 Poles
Pitch between poles/间距	1.25mm
Rated Voltage/额定电压	125V AV,DC
Rated Current/额定电流	1A (AWG #28)
Withstand Voltage/耐压值	250V AC/minute
Contact Resistance/接触电阻	20mΩ (MAX.)
Insulation Resistance/绝缘电阻	100MΩ (MIN.)
Temperature Range/温度范围	-40°C ~ +85°C
Applicable PCB Thickness/适用板厚	0.8mm
Applicable PCB Hole dia./适用孔径	∅0.50±0.05mm
Applicable Wire Range/适用线径	AWG #28~#32

1132 SERIES 1.25mm Pitch Crimp Terminal Socket

Features/产品特性:

- * Single Row Terminal Socket(单排端子塑壳)
- * Material(材质): Nylon 66 UL 94V-0 +15%GF / PA6T UL 94-V0 (White)
- * Suitable for 1132 series terminal(适用于1132系列端子)

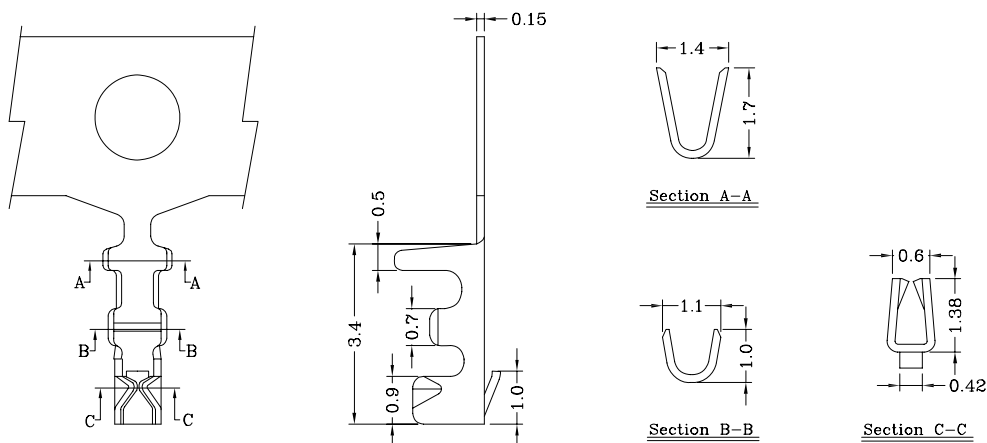


Poles 位数	Part No. 产品型号	Dimensions/尺寸	
		A	B
2	1132H-02P	1.25	4.25
3	1132H-03P	2.50	5.50
4	1132H-04P	3.75	6.75
5	1132H-05P	5.00	8.00
6	1132H-06P	6.25	9.25
7	1132H-07P	7.50	10.50
8	1132H-08P	8.75	11.75
9	1132H-09P	10.00	13.00
10	1132H-10P	11.25	14.25
11	1132H-11P	12.50	15.50
12	1132H-12P	13.75	16.75
13	1132H-13P	15.00	18.00
14	1132H-14P	16.25	19.25
15	1132H-15P	17.50	20.50

1132 SERIES 1.25mm Pitch Crimp Terminal

Features/产品特性:

- * Used in 1132 series socket(用于1132系列塑壳)

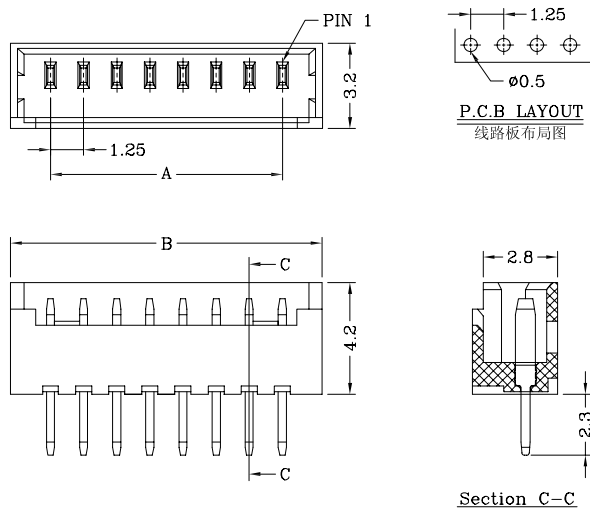


Part No./产品型号	Wire Range/线径范围	Insulation O.D/线外径	Material/材质	Finish/表面处理
1132T-P	AWG #28 ~ #32	1.00mm(max)	Phosphor bronze	Tin-plated

1132 SERIES 1.25mm Pitch Wafer (S-Type)

Features/产品特性:

- * Single Row Vertical DIP Wafer(单排直针焊板插座)
- * Material(材质):
Insulator(塑胶本体): Nylon 6T UL 94V-0
Contacts(接触件): Phosphor Bronze, Tin-Plated
- * Mates with 1132 series socket(与1132系列塑壳配合)

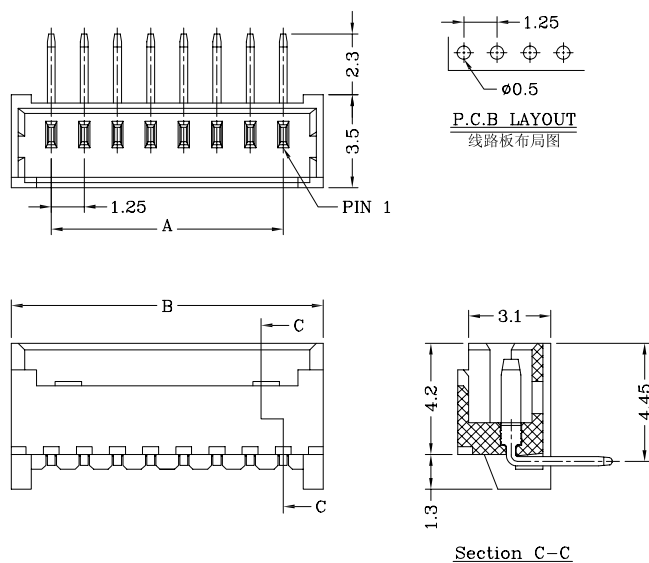


Poles 位数	Part No. 产品型号	Dimensions/尺寸	
		A	B
2	1132S-02P	1.25	4.25
3	1132S-03P	2.50	5.50
4	1132S-04P	3.75	6.75
5	1132S-05P	5.00	8.00
6	1132S-06P	6.25	9.25
7	1132S-07P	7.50	10.50
8	1132S-08P	8.75	11.75
9	1132S-09P	10.00	13.00
10	1132S-10P	11.25	14.25
11	1132S-11P	12.50	15.50
12	1132S-12P	13.75	16.75
13	1132S-13P	15.00	18.00
14	1132S-14P	16.25	19.25
15	1132S-15P	17.50	20.50

1132 SERIES 1.25mm Pitch Wafer (R-Type)

Features/产品特性:

- * Single Row Horizontal DIP Wafer(单排弯针焊板插座)
- * Material(材质):
Insulator(塑胶本体): Nylon 6T UL 94V-0
Contacts(接触件): Phosphor Bronze, Tin-Plated
- * Mates with 1132 series socket(与1132系列塑壳配合)



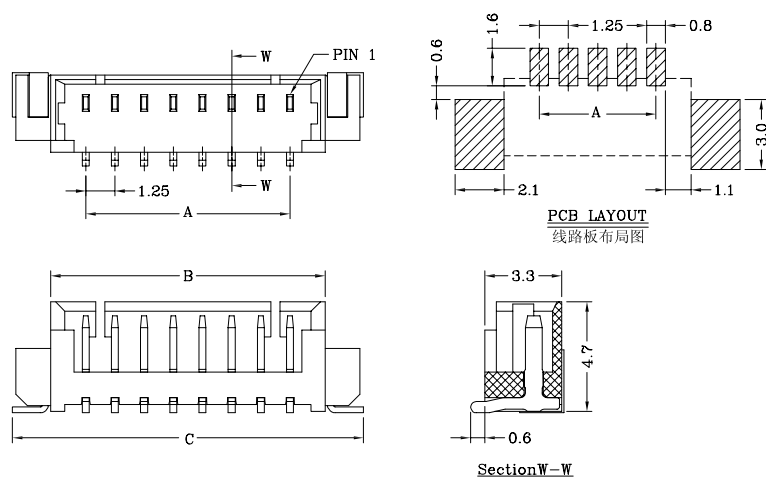
Dimension:

Circuits 位数	Part No. 产品型号	Dimensions/尺寸	
		A	B
2	1132R-02P	1.25	4.25
3	1132R-03P	2.50	5.50
4	1132R-04P	3.75	6.75
5	1132R-05P	5.00	8.00
6	1132R-06P	6.25	9.25
7	1132R-07P	7.50	10.50
8	1132R-08P	8.75	11.75
9	1132R-09P	10.00	13.00
10	1132R-10P	11.25	14.25
11	1132R-11P	12.50	15.50
12	1132R-12P	13.75	16.75
13	1132R-13P	15.00	18.00
14	1132R-14P	16.25	19.25
15	1132R-15P	17.50	20.50

1132 SERIES 1.25mm Pitch Wafer (SMS-Type)

Features/产品特性:

- * Single Row Vertical SMT Wafer(单排立贴插座)
- * Material(材质):
 - Insulator(塑胶本体): Nylon 6T UL 94V-0
 - Contacts(接触件): Phosphor Bronze, Tin-plated
 - Solder Tab(焊盘片): Brass, Tin-Plated
- * Mates with 1132 series socket(与1132系列塑壳配合)

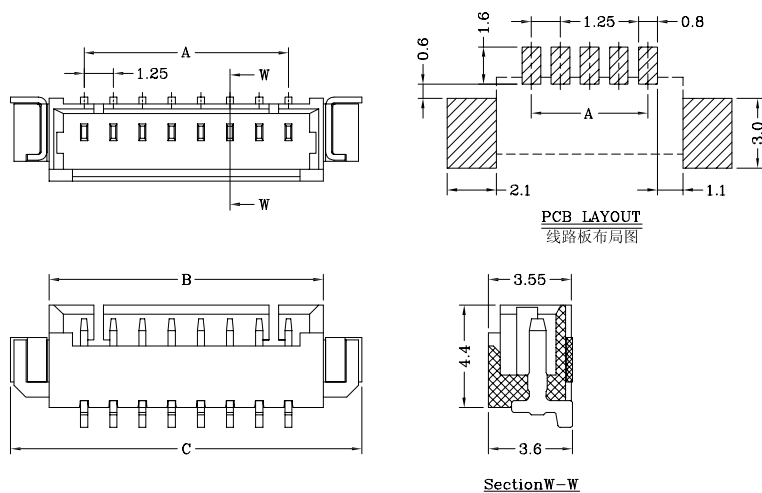


Poles 位数	Part No. 产品型号	Dimensions/尺寸		
		A	B	C
2	1132SMS-02P	1.25	4.25	7.55
3	1132SMS-03P	2.50	5.50	8.80
4	1132SMS-04P	3.75	6.75	10.05
5	1132SMS-05P	5.00	8.00	11.30
6	1132SMS-06P	6.25	9.25	12.55
7	1132SMS-07P	7.50	10.50	13.80
8	1132SMS-08P	8.75	11.75	15.05
9	1132SMS-09P	10.00	13.00	16.30
10	1132SMS-10P	11.25	14.25	17.55
11	1132SMS-11P	12.50	15.50	18.80
12	1132SMS-12P	13.75	16.75	20.05
13	1132SMS-13P	15.00	18.00	21.30
14	1132SMS-14P	16.25	19.25	22.55
15	1132SMS-15P	17.50	20.50	23.80

1132 SERIES 1.25mm Pitch Wafer (SMR-Type)

Features/产品特性:

- * Single Row Horizontal SMT Wafer(单排卧贴插座)
- * Material(材质):
 - Insulator(塑胶本体): Nylon 6T UL 94V-0
 - Contacts(接触件): Phosphor Bronze, Tin-plated
 - Solder Tab(焊盘片): Brass, Tin-Plated
- * Mates with 1132 series socket(与1132系列塑壳配合)



Poles 位数	Part No. 产品型号	Dimensions/尺寸		
		A	B	C
2	1132SMR-02P	1.25	4.25	7.55
3	1132SMR-03P	2.50	5.50	8.80
4	1132SMR-04P	3.75	6.75	10.05
5	1132SMR-05P	5.00	8.00	11.30
6	1132SMR-06P	6.25	9.25	12.55
7	1132SMR-07P	7.50	10.50	13.80
8	1132SMR-08P	8.75	11.75	15.05
9	1132SMR-09P	10.00	13.00	16.30
10	1132SMR-10P	11.25	14.25	17.55
11	1132SMR-11P	12.50	15.50	18.80
12	1132SMR-12P	13.75	16.75	20.05
13	1132SMR-13P	15.00	18.00	21.30
14	1132SMR-14P	16.25	19.25	22.55
15	1132SMR-15P	17.50	20.50	23.80