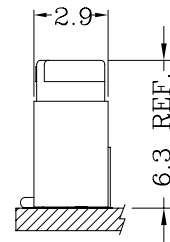
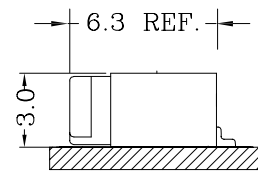


Assembly Layout/装配方案



SMS-Type/立贴型



SMR-Type/卧贴型

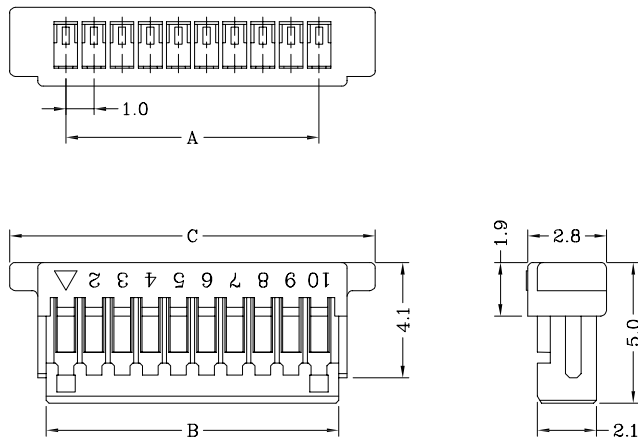
Specifications/技术参数:

Poles/位数	2~16,18,20,30,40,50Poles
Pitch between poles/间距	1.00mm
Rated Voltage/额定电压	50V AV,DC
Rated Current/额定电流	1A (AWG #28)
Withstand Voltage/耐压值	500V AC/minute
Contact Resistance/接触电阻	20mΩ (MAX.)
Insulation Resistance/绝缘电阻	100MΩ (MIN.)
Temperature Range/温度范围	-25°C ~ +85°C
Applicable Wire Range/适用线径	AWG #28~ #32

1002 SERIES 1.00mm Pitch Single Row Terminal Socket

Features/产品特性:

- * Single Row Terminal Socket(单排端子塑壳)
- * Material(材质): Nylon 66 UL 94V-0 (White)
- * Suitable for 1002 series terminal(适用于1002系列端子)

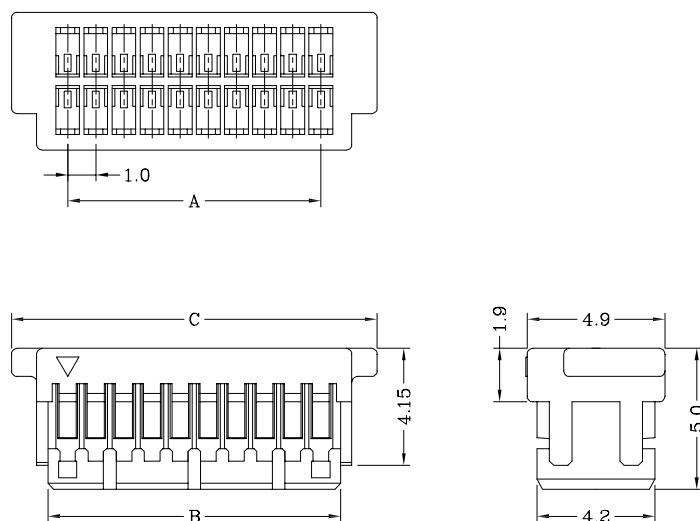


Poles 位数	Part No. 产品型号	Dimensions/尺寸		
		A	B	C
2	1002H-1*02P	1.0	2.4	5.0
3	1002H-1*03P	2.0	3.4	6.0
4	1002H-1*04P	3.0	4.4	7.0
5	1002H-1*05P	4.0	5.4	8.0
6	1002H-1*06P	5.0	6.4	9.0
7	1002H-1*07P	6.0	7.4	10.0
8	1002H-1*08P	7.0	8.4	11.0
9	1002H-1*09P	8.0	9.4	12.0
10	1002H-1*10P	9.0	10.4	13.0
11	1002H-1*11P	10.0	11.4	14.0
12	1002H-1*12P	11.0	12.4	15.0
13	1002H-1*13P	12.0	13.4	16.0
14	1002H-1*14P	13.0	14.4	17.0
15	1002H-1*15P	14.0	15.4	18.0
20	1002H-1*20P	19.0	20.4	23.0

1002 SERIES 1.00mm Pitch Dual Row Terminal Socket

Features/产品特性:

- * Dual Row Terminal Socket(双排端子塑壳)
- * Material(材质): Nylon 66 UL 94V-0 (White)
- * Suitable for 1002 series terminal(适用于1002系列端子)

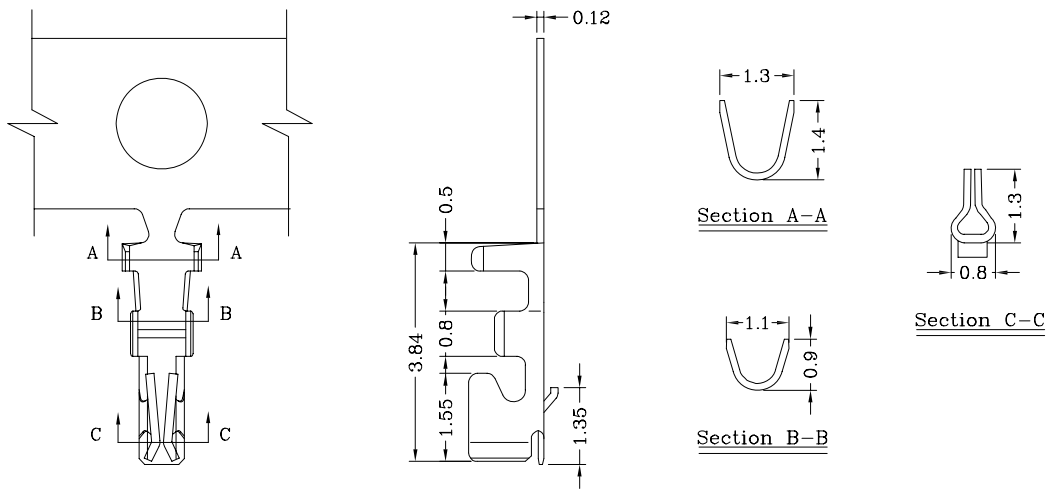


Poles 位数	Part No. 产品型号	Dimensions/尺寸		
		A	B	C
16	1002H-2*08P	7.0	8.4	11.0
18	1002H-2*09P	8.0	9.4	12.0
20	1002H-2*10P	9.0	10.4	13.0
30	1002H-2*15P	14.0	15.4	18.0
40	1002H-2*20P	19.0	20.4	23.0
50	1002H-2*25P	24.0	25.4	28.0

1002 SERIES 1.00mm Pitch Crimp Terminal

Features/产品特性:

* Used in 1002 series socket (用于1002系列塑壳)

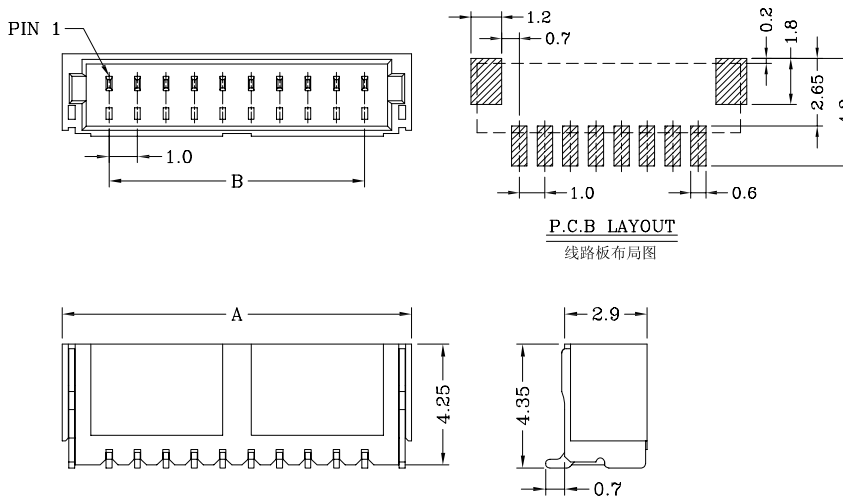


Part No./产品型号	Wire Range/线径范围	Insulation O.D/线外径	Material/材质	Finish/表面处理
1002T-P	AWG #28 ~ #32	0.8mm(max)	Phosphor bronze	Tin-plated
1002T-PG	AWG #28 ~ #32	0.8mm(max)	Phosphor bronze	Gold-plated

1002 SERIES 1.00mm Pitch Single Row Wafer (SMS-Type)

Features/特性:

- * Single Row Vertical SMT Wafer(单排立贴插座)
- * Material(材质):
 Insulator(塑胶本体): Nylon 6T UL 94V-0
 Contacts(接触件): Phosphor Bronze ,Tin-Plated
 Solder Tab(焊盘片): Brass,Tin-plated
- * Mates with 1002 series socket(与1002系列塑壳配合)

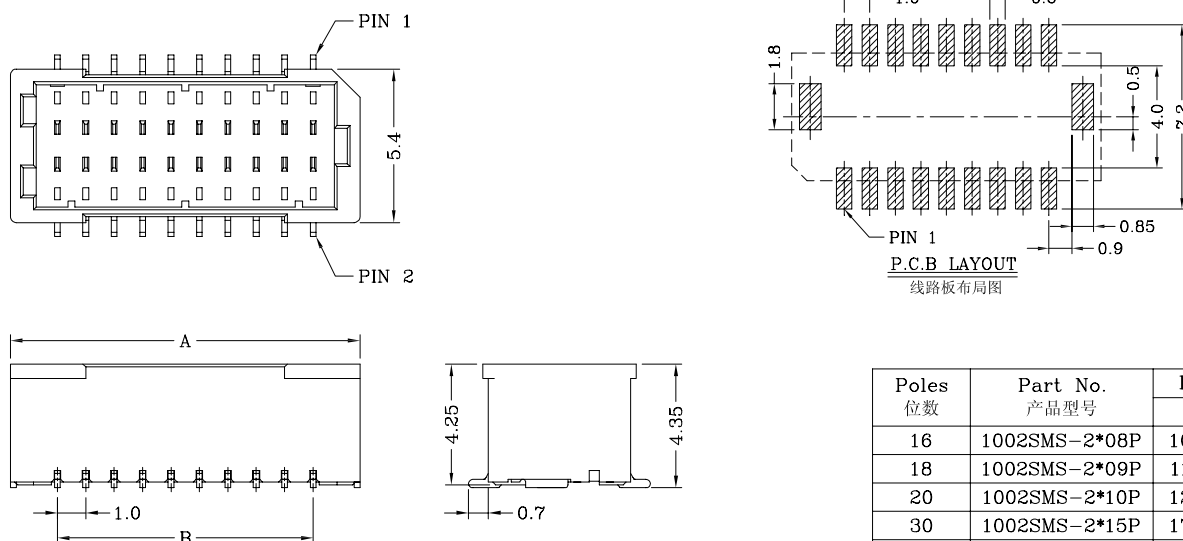


Poles 位数	Part No. 产品型号	Dim./尺寸	
		A	B
2	1002SMS-1*02P	4.3	1.0
3	1002SMS-1*03P	5.3	2.0
4	1002SMS-1*04P	6.3	3.0
5	1002SMS-1*05P	7.3	4.0
6	1002SMS-1*06P	8.3	5.0
7	1002SMS-1*07P	9.3	6.0
8	1002SMS-1*08P	10.3	7.0
9	1002SMS-1*09P	11.3	8.0
10	1002SMS-1*10P	12.3	9.0
11	1002SMS-1*11P	13.3	10.0
12	1002SMS-1*12P	14.3	11.0
13	1002SMS-1*13P	15.3	12.0
14	1002SMS-1*14P	16.3	13.0
15	1002SMS-1*15P	17.3	14.0
20	1002SMS-1*20P	22.3	19.0

1002 SERIES 1.00mm Pitch Dual Row Wafer (SMS-Type)

Features/特性:

- * Dual Row Vertical SMT Wafer(双排立贴插座)
- * Material(材质):
 Insulator(塑胶本体): Nylon 6T UL 94V-0
 Contacts(接触件): Phosphor Bronze ,Gold-Plated
 Solder Tab(焊盘片): Brass,Tin-plated
- * Mates with 1002 series socket(与1002系列塑壳配合)

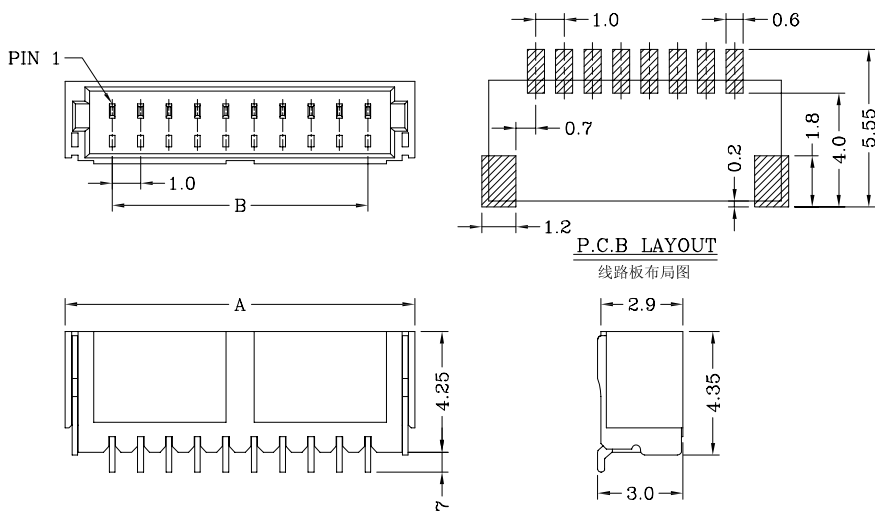


Poles 位数	Part No. 产品型号	Dim./尺寸	
		A	B
16	1002SMS-2*08P	10.3	7.0
18	1002SMS-2*09P	11.3	8.0
20	1002SMS-2*10P	12.3	9.0
30	1002SMS-2*15P	17.3	14.0
40	1002SMS-2*20P	22.3	19.0
50	1002SMS-2*25P	27.3	24.0

1002 SERIES 1.00mm Pitch Single Row Wafer (SMR-Type)

Features/特性:

- * Single Row Horizontal SMT Wafer(单排卧贴插座)
- * Material(材质):
Insulator(塑胶本体): Nylon 6T UL 94V-0
Contacts(接触件): Phosphor Bronze ,Tin-Plated
Solder Tab(焊盘片): Brass,Tin-plated
- * Mates with 1002 series socket(与1002系列塑壳配合)

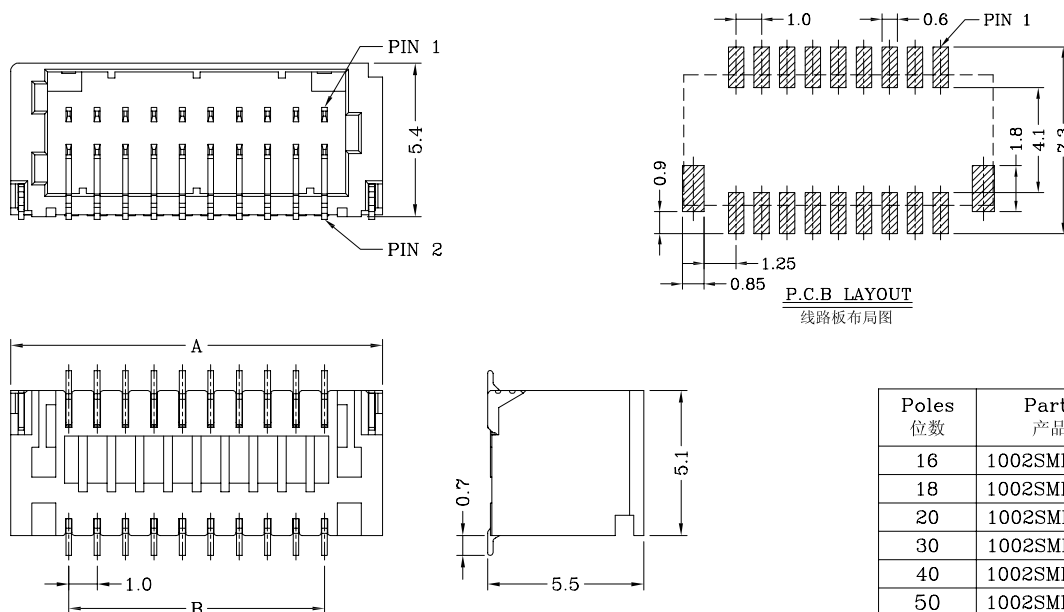


Poles 位数	Part No. 产品型号	Dim./尺寸	
		A	B
2	1002SMR-1*02P	4.3	1.0
3	1002SMR-1*03P	5.3	2.0
4	1002SMR-1*04P	6.3	3.0
5	1002SMR-1*05P	7.3	4.0
6	1002SMR-1*06P	8.3	5.0
7	1002SMR-1*07P	9.3	6.0
8	1002SMR-1*08P	10.3	7.0
9	1002SMR-1*09P	11.3	8.0
10	1002SMR-1*10P	12.3	9.0
11	1002SMR-1*11P	13.3	10.0
12	1002SMR-1*12P	14.3	11.0
13	1002SMR-1*13P	15.3	12.0
14	1002SMR-1*14P	16.3	13.0
15	1002SMR-1*15P	17.3	14.0
20	1002SMR-1*20P	22.3	19.0

1002 SERIES 1.00mm Pitch Dual Row Wafer (SMR-Type)

Features/特性:

- * Dual Row Horizontal SMT Wafer(双排卧贴插座)
- * Material(材质):
Insulator(塑胶本体): Nylon 6T UL 94V-0
Contacts(接触件): Phosphor Bronze ,Gold-Plated
Solder Tab(焊盘片): Brass,Tin-plated
- * Mates with 1002 series socket(与1002系列塑壳配合)



Poles 位数	Part No. 产品型号	Dim./尺寸	
		A	B
16	1002SMR-2*08P	10.3	7.0
18	1002SMR-2*09P	11.3	8.0
20	1002SMR-2*10P	12.3	9.0
30	1002SMR-2*15P	17.3	14.0
40	1002SMR-2*20P	22.3	19.0
50	1002SMR-2*25P	27.3	24.0